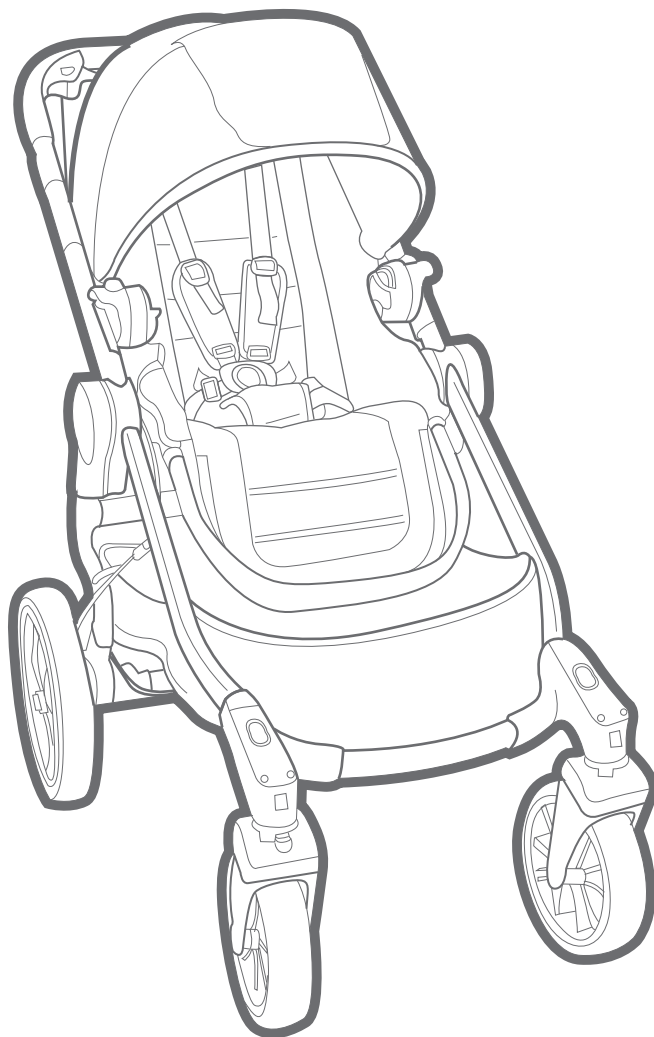




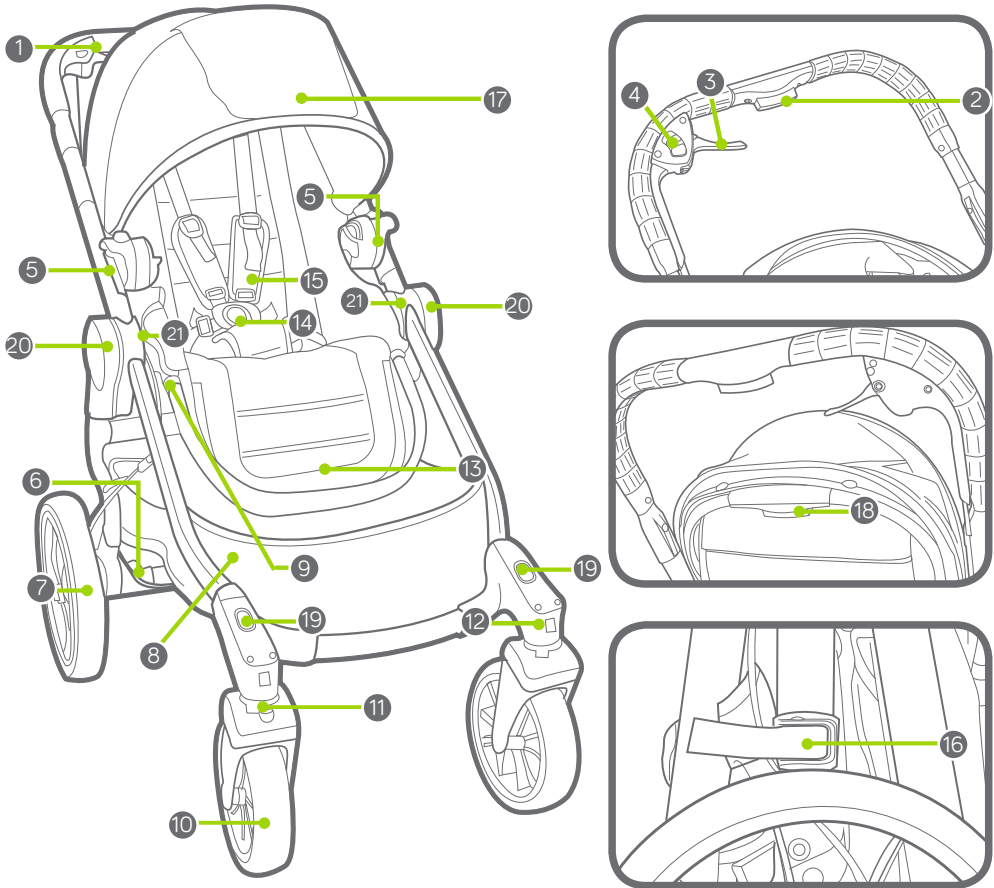
# city select™ LUX Stroller



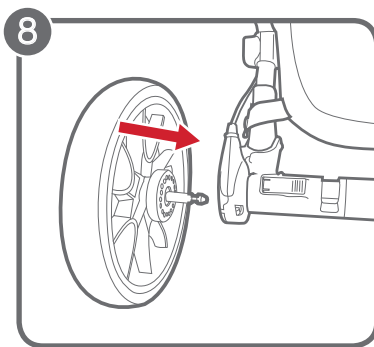
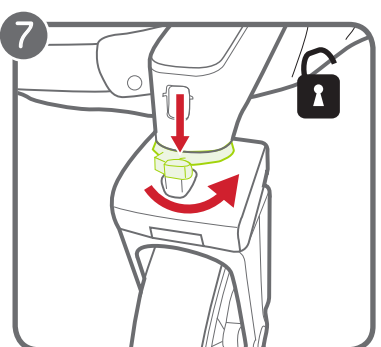
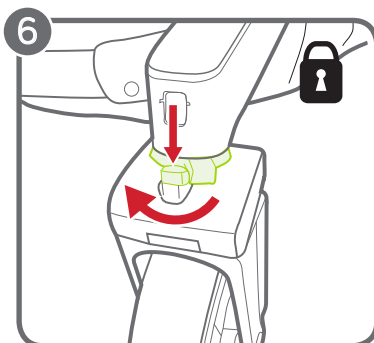
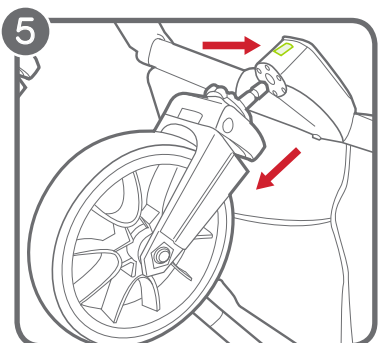
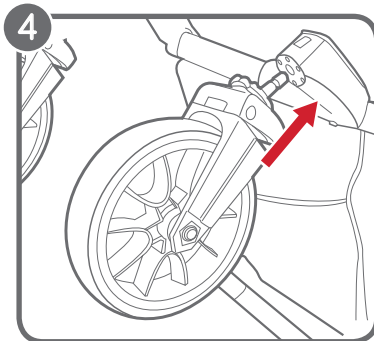
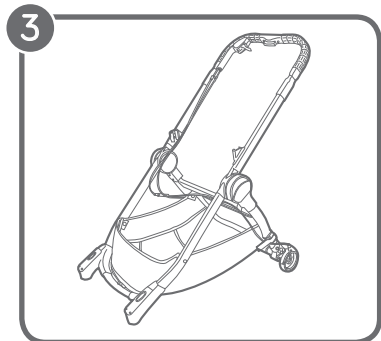
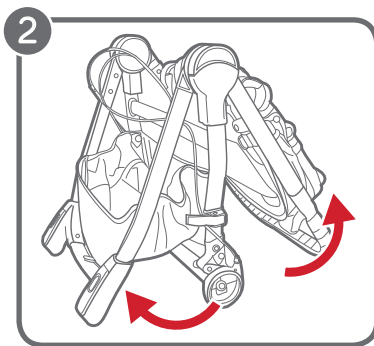
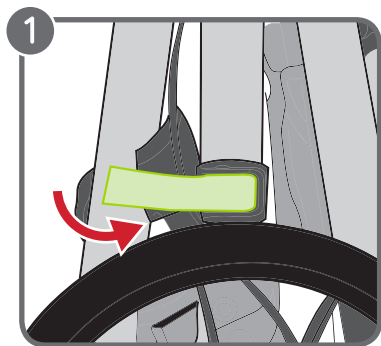
©2017 baby jogger PD349679B 9/17

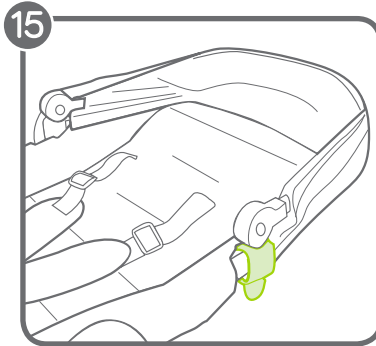
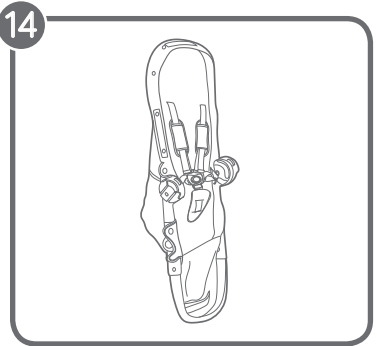
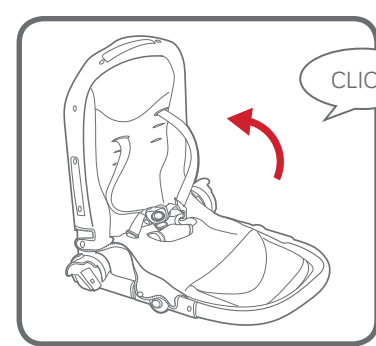
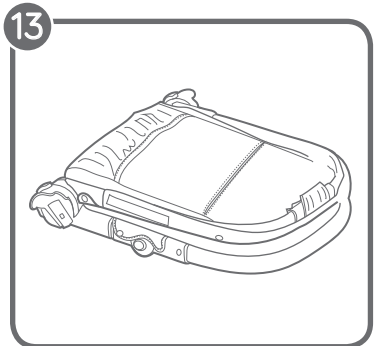
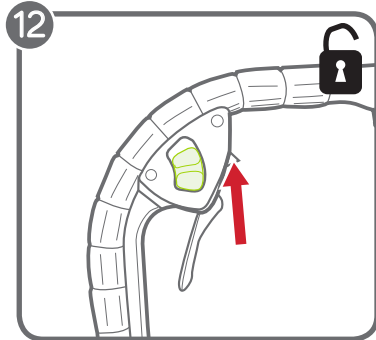
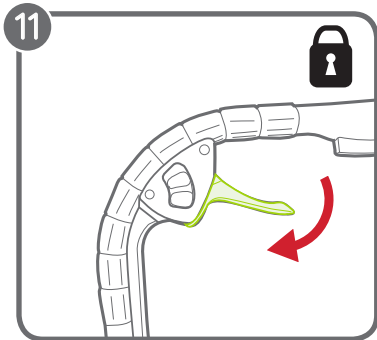
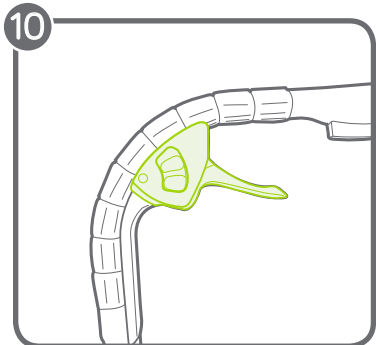
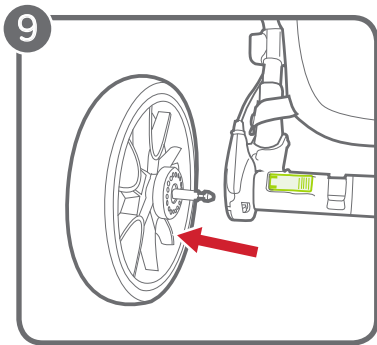
ASSEMBLY INSTRUCTIONS  
INSTRUCCIONES PARA EL ENSAMBLAJE

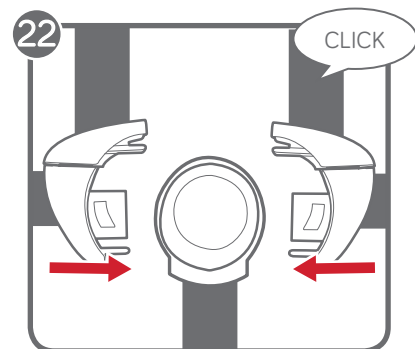
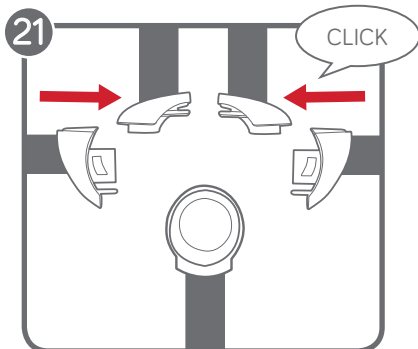
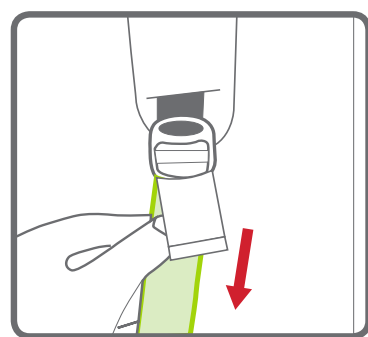
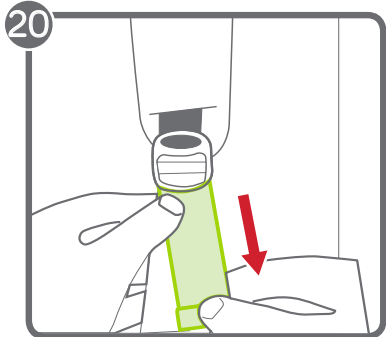
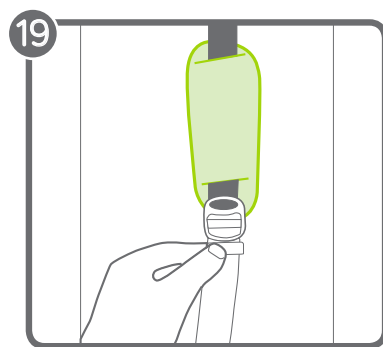
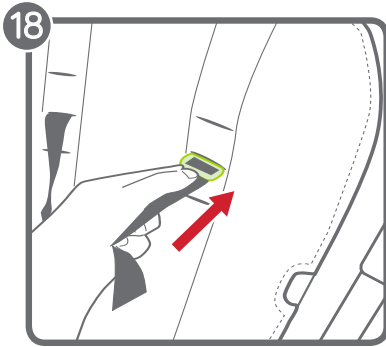
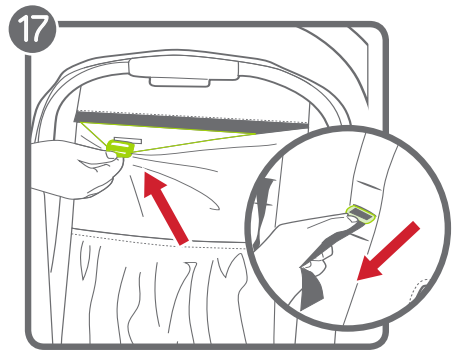
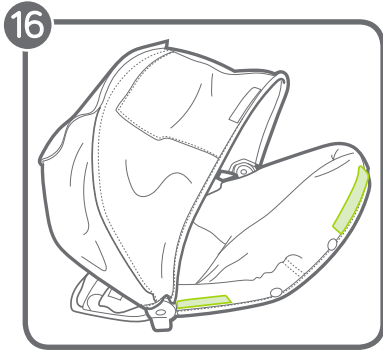
[babyjogger.com](http://babyjogger.com)

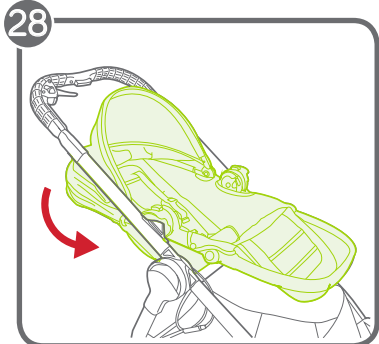
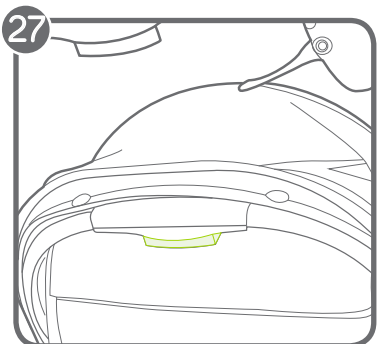
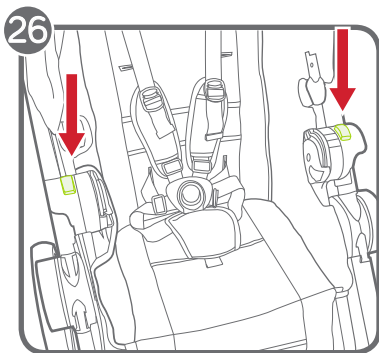
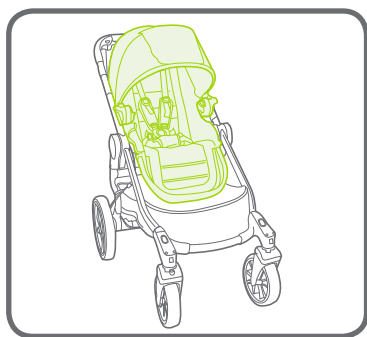
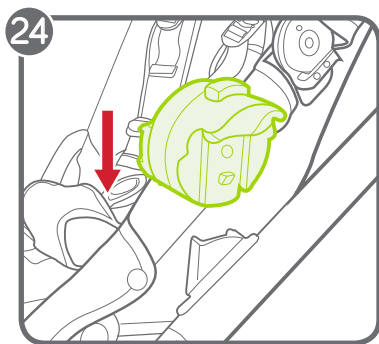
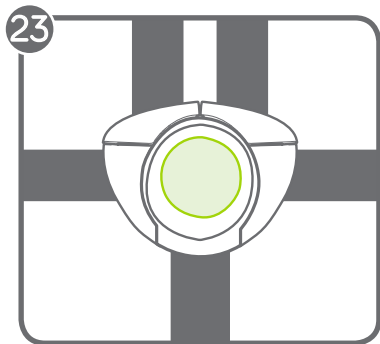


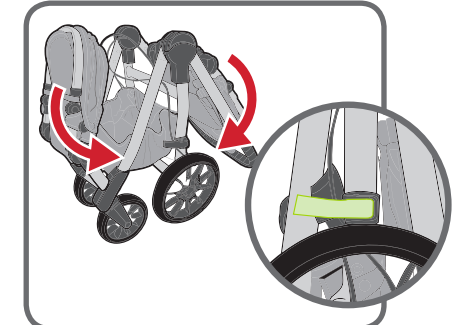
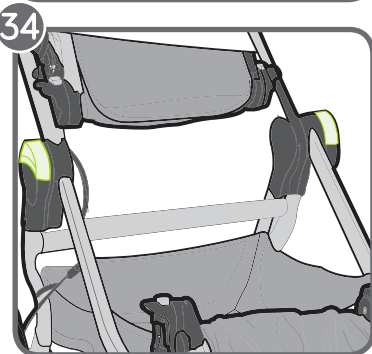
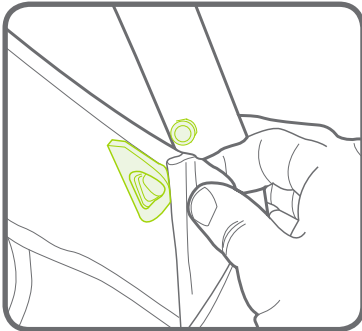
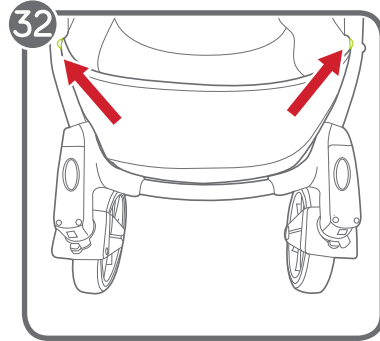
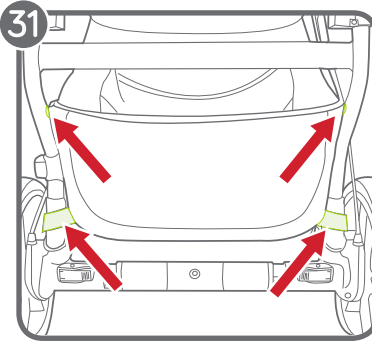
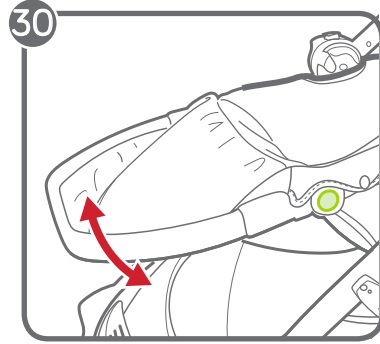
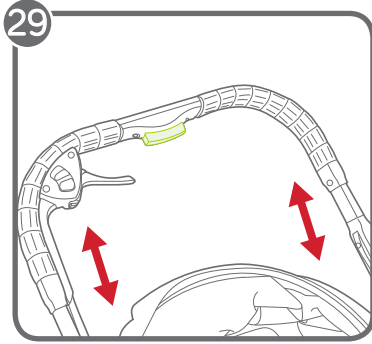
- |    |                             |    |                                 |
|----|-----------------------------|----|---------------------------------|
| 1  | Handlebar                   | 12 | Front Wheel Release Button      |
| 2  | Handlebar Adjustment Button | 13 | Footwell                        |
| 3  | Parking Brake               | 14 | Harness Buckle                  |
| 4  | Parking Brake Lock          | 15 | Harness Pads                    |
| 5  | Seat Mounting Bracket       | 16 | Storage Lock                    |
| 6  | Rear Wheel Release Button   | 17 | Canopy                          |
| 7  | Rear Wheel                  | 18 | Seat Recline Button             |
| 8  | Storage Basket              | 19 | 2nd Seat Adapter Mounting Slots |
| 9  | Footwell Adjustment Button  | 20 | Quick Fold Handles              |
| 10 | Front Wheel                 | 21 | Accessory Mounting Slots        |
| 11 | Swivel/Lock                 |    |                                 |

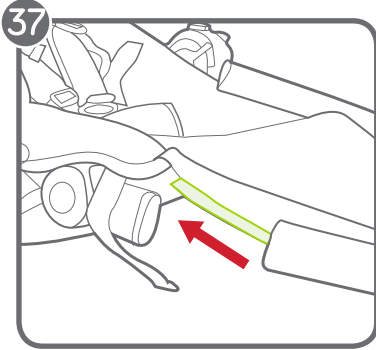
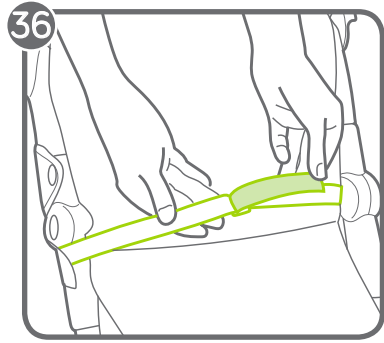
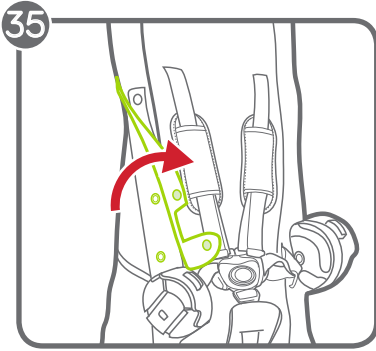
























# WARNING

**IMPORTANT** - Keep these instructions for future reference.

Read these instructions carefully before use. Your child's safety may be affected if you do not follow these instructions.

## SINGLE STROLLER

- This stroller seats one passenger.
-  **WARNING** This seat unit is not suitable for children under 6 months. Maximum weight is 45 lb (20 kg); maximum height is 40 in (101.6 cm).
- Total weight load recommended for this stroller is 57 lb (26 kg). 45 lb (20 kg) in the seat, 2.2 lb (1 kg) in the seat back pocket, and 15 lb (7 kg) in the basket.
-  **WARNING**: Excessive weight may cause a hazardous unstable condition to exist.
-  **WARNING**: This stroller is not suitable for running, jogging, skating or rollerblading.
-  **WARNING**: Never leave your child unattended.
-  **WARNING**: Always use the restraint system.
-  **WARNING**: Check that the pram body or seat unit attachment or car seat attachment devices are correctly engaged before use.
-  **WARNING**: To avoid injury, ensure that your child is kept away when unfolding and folding this product.
-  **WARNING**: Do not let your child play with this product.
-  **WARNING**: Parcels or accessory items, or both, placed on the unit may cause the unit to become unstable.
-  **WARNING**: Any load attached to the handle affects the stability of the stroller.
  - This seat should be used in the most reclined position until a child can sit up unaided, roll over, or push itself up on it's hands and knees.
  - Stroller is not meant to be used for transporting children up or down stairs or escalators. Damage resulting to stroller will not be covered under warranty.
  - This stroller does not replace a cot or a bed. Should your child need to sleep, then it should be placed in a suitable pram body, cot, or bed.
  - Accessories which are not approved by Baby Jogger shall not be used.
  - Watch out for cars - never assume that a driver can see you and your child.
  - The passenger shall remain seated (no standing in the stroller).
  - It may be unsafe to use replacement parts other than those supplied or approved by Baby Jogger.

## FRAME

- 1 Unpack the stroller frame from the box and set the wheels aside. Unlock the stroller by pulling the Storage Lock Lever.
  - 2 Lift the Handlebar away from the lower frame. The stroller will click into place.
  - 3 Place the stroller in the upright position.
- ⚠️ WARNING:** Ensure that all the locking devices are engaged before use.

## FRONT WHEEL

- 4 Installation
  - Lay stroller on its back so the Handlebar is resting on the floor.
  - Attach the Front Wheel by sliding it into the front wheel mount until it clicks. Gently pull on the Front Wheel to make sure it is properly attached.
- 5 Removal
  - While pressing the front wheel release button, gently slide the Front Wheel out of the front wheel mount.

## SWIVEL FEATURE

- 6 Press the Swivel Lock button down and slide the Swivel Lock to the left to lock the front wheel assembly in a fixed position for long distance strolling.
- 7 Press the Swivel Lock button down and slide the Swivel Lock to the right to allow the front wheel assembly to swivel.

**⚠️ WARNING:** When loading and unloading child, lock the front wheel in a fixed position. Although the front wheel of your stroller locks, it is not intended for jogging or exercise purposes.

## REAR WHEELS

- 8 Installation
  - Align the Rear Wheel axle with the wheel mount on the stroller frame and insert it into the wheel mount until it clicks into place.
  - Gently pull on the Rear Wheel to make sure it is properly attached.

- 9 Removal
  - While pressing the Wheel Release Button, gently slide the Rear Wheel out of the wheel mount.

## BRAKE

- 10 To engage quick brake squeeze on the brake lever.
- 11 To Lock the Brakes: gently push the Brake Lever forward until it clicks into place.
- 12 To Release the Brakes: Pull the Parking brake lock towards you.

**⚠️ WARNING:** Lock the brakes before loading and unloading your child and whenever the stroller is not moving.

## SEAT - UNFOLD THE SEAT

- 13 Holding the footwell and the top of the seat, open the seat.
- 14 The seat will lock into its open position.

## CANOPY

- 15 Attach the canopy to the frame: Attach the Canopy's brackets to the sides of the seat frame.
- 16 Attach the 2 fastening strips on the canopy to the top of the seat.

## ADJUSTING SAFETY HARNESS

- 17 From the back of the seat, undo the fastening strip and open the pocket to locate the plastic square stopper. Turn stopper and pass through the openings in the PE board and seat fabric.
- 18 Reinsert stopper at seat opening closest to child's shoulders. Pass back through seat fabric and PE board. Tug on strap to ensure stopper is locked. Repeat on both sides.

**⚠️ WARNING:** Avoid serious injury from falling or sliding out. Always properly adjust and fasten safety harness.

**⚠️ WARNING:** Always use the crotch strap in combination with the shoulder straps and waist belt.

- 19 Slide the Harness Pads up to access plastic guide on strap.
- 20 Hold the plastic guide and pull strap to tighten or loosen.

## USING SAFETY HARNESS

- 21 Insert side strap buckle into harness buckle on both sides.
- 22 Insert connected harness and side strap buckles into the sides of the crotch buckle.
- 23 Press button on crotch buckle to release.

## PLACE THE SEAT ON THE FRAME

- 24 Align the Accessory Mounting Brackets with the mounting brackets on the stroller frame.
- 25 Slide the seat into the brackets until it clicks into place. Ensure that both sides of the seat are securely fastened into the frame before use.

NOTE: The seat may be installed either forward-facing or rear-facing.

## REMOVE THE SEAT

- 26 Press gray tabs on Mounting Brackets and pull up.
- ▲WARNING:** Always remove your child from the seat before removing the seat from the frame.

## RECLINE THE SEAT

- 27 Squeeze the Seat Recline Button located at the top of the seat, behind the canopy.
- 28 Pull down to lower the seat and pull up to raise the seat until it clicks into the desired position.

## HANDLE HEIGHT ADJUSTMENT

- 29 Squeeze the Handle Adjustment Button and slide the handle up or down to the desired length.

## ADJUSTABLE FOOTWELL

- 30 Adjust the angle: Press the Adjustment Buttons on the Footwell and move it up or down until it clicks into the desired position.

## BASKET REMOVAL

- 31 Unfasten the top snaps of the Basket around the middle support bar of the frame. Then unfasten the bottom snaps around the side support bars of the frame.
- 32 Unhook the top front plastic loop from over the metal knob on the back of the frame. Repeat for the opposite side.

## FOLDING

- Remove your child from the seat.
  - The stroller may be folded with or without the seat attached, and forward-facing or rear-facing.
  - When folding rear-facing, it is recommended that the seat be reclined all the way before folding.
  - Always recline the seat to its most upright position and place it in the forward-facing for the most compact fold.
- 33 Pull up on the seats footwell and fold the seat upwards.
  - 34 Pull up on the quick fold handles and let the frame collapse. Make sure the storage lock lever clicks into place.

## REMOVING THE SEAT FABRIC

- 35 Unsnap the seat fabric from the seat frame.
- 36 From the back of the seat, unfasten the hook-and-loop and slide the strap through the D-ring.
- 37 Press the Footwell Adjustment Buttons and pull out on the Footwell to remove the footwell bar from the seat frame. Pull the seat fabric out of the channel in the Footwell bar.

# CARE AND MAINTENANCE

To preserve the longevity of your stroller, it is important to perform simple, regular maintenance. From time to time, make sure that the joints and folding areas are still in good condition. If you hear any squeaking or feel tension, you can take your stroller to a local bike shop for added lubrication. All repairs should only be carried out by an authorized dealer.

## WASHING

### Seat Fabric

- You can machine wash your stroller's seat in cold water with a mild detergent.
- Be sure to remove the metal frame and PE boards from the seat before washing.
- Do not use solvents, caustic or abrasive cleaning materials.
- To minimize shrinkage, simply reattach the seat to the frame to dry.
- Do not press, iron, dry clean, tumble dry or wring the fabric.
- If the seat covers need to be replaced, only use parts from a Baby Jogger Authorized Dealer. They are the only ones that are guaranteed to have been safety tested and designed to fit this seat.

### Plastic/Metal Parts

- Wipe clean using a mild soap and warm water.
- You must not remove, dismantle or alter any part of the seat folding mechanism or brakes.

### Wheel Care

- The wheels can be cleaned using a damp cloth. They will need to be dried completely with a soft towel or cloth.

## STORING

- Sunshine can fade seat fabric and dry out tires, so storing your stroller indoors will prolong its good looks.
- DO NOT store outside.
- Ensure that the stroller is dry before storing for prolonged periods.
- Always store the stroller in a dry environment.
- Store the stroller in a safe place when not in use (i.e. where children cannot play with it).
- DO NOT place heavy objects on top of the stroller.
- DO NOT store the stroller near a direct heat source such as a radiator or fire.

# REGISTER YOUR STROLLER ONLINE AT [www.babyjogger.com/register](http://www.babyjogger.com/register)

## Baby Jogger's Limited Lifetime Warranty:

Baby Jogger warrants that the frame is free of manufacturer defects for the lifetime of the product. Manufacturer's defects include but are not limited to the breaking of welds and frame tube damage. Textile or soft side materials and all other components shall be warranted for one year from the date of purchase (except for tubes and tires). Proof of purchase is required to make a warranty claim and the warranty is only extended to the original purchaser.

### THIS WARRANTY DOES NOT COVER:

- Normal wear and tear
- Corrosion or rust
- Incorrect assembly, or the installation of third party parts or accessories not compatible with the original design
- Accidental or intentional damage, abuse or neglect, or use on stairs or escalators.
- Commercial use
- Improper storage/care of the unit

This warranty specifically excludes claims for indirect, incidental, or consequential damages. The implied warranties of merchantability and fitness for a particular purpose is according to the specific warranty period for this model unit at time of purchase. Some states do not allow the exclusion or limitation of incidental or consequential damages, so the above limitations or exclusions may not apply to you. This warranty gives you specific legal rights, and you may also have other rights which vary from state to state. To know what your legal rights are in your state, consult your local or state consumer affairs office or your State's Attorney General.

If your stroller was purchased outside of the United States, please contact the distributor in the country nearest you. Their contact information can be found on our website at <http://www.babyjogger.com>. Claims for warranty outside of the country in which the product was purchased may incur shipping charges.

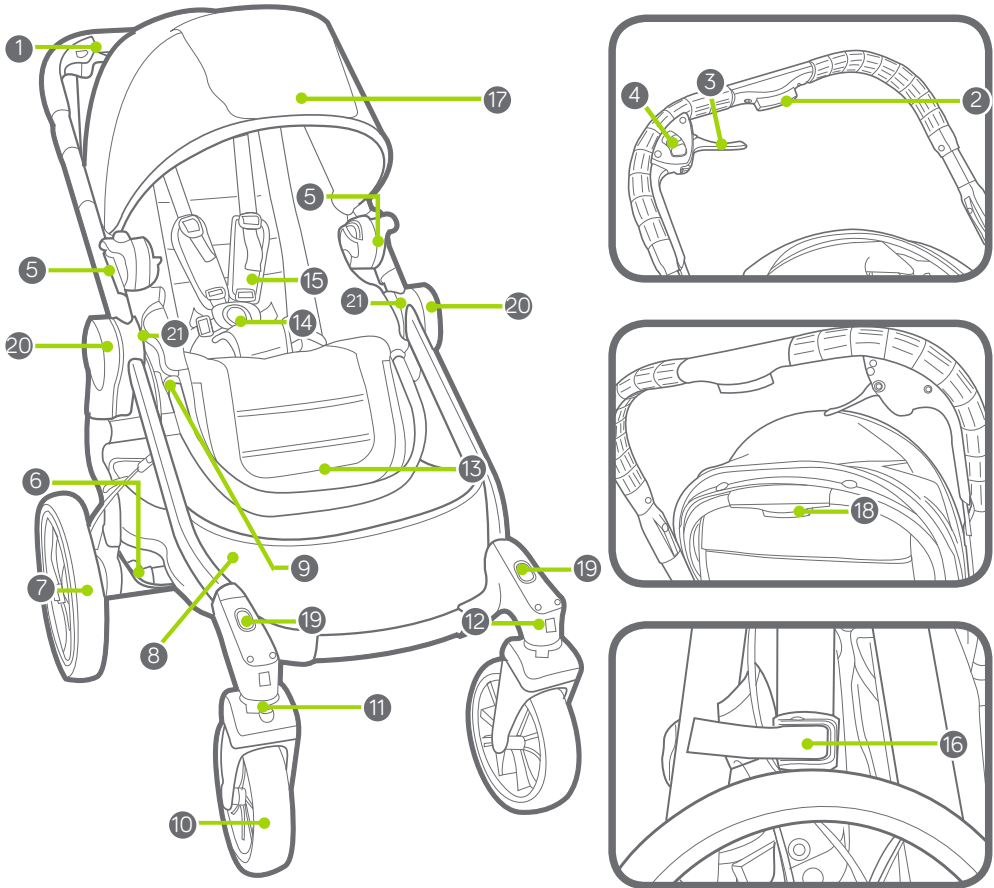


NOTE: When contacting Baby Jogger distributor regarding your stroller, please have your stroller's serial number and manufacturing date ready. It can be found on the right fold mechanism.

### Customer Care Contact Information:

E-Mail: [Customerservice@babyjogger.com](mailto:Customerservice@babyjogger.com)  
 Call: 1-800-241-1848 8:30am - 5:30pm EST, Mon - Fri.  
 Fax: 1-804-262-6277  
 Mail: Baby Jogger, LLC  
 4110 Premier Drive  
 High Point, NC 27265

[www.babyjogger.com](http://www.babyjogger.com)



- |    |   |    |  |
|----|---|----|--|
| 1  | Manillar                                | 12 | Botón de liberación de la rueda delantera            |
| 2  | Botón de ajuste del manillar            | 13 | Hueco del pie  |
| 3  | Freno de mano                           | 14 | Hebilla del arnés                                    |
| 4  | Traba del freno de mano                 | 15 | Almohadillas del arnés                               |
| 5  | Soporte de montaje del asiento          | 16 | Traba para el almacenamiento                         |
| 6  | Botón de liberación de la rueda trasera | 17 | Capota   |
| 7  | Rueda trasera                           | 18 | Botón de inclinación del asiento                     |
| 8  | Canasta de almacenamiento               | 19 | Ranuras de montaje del adaptador del segundo asiento |
| 9  | Botón de ajuste del hueco del pie       | 20 | Manijas de plegue rápido                             |
| 10 | Rueda delantera                         | 21 | Ranuras de montaje de accesorios                     |
| 11 | Girar/Trabar                            |    |  |

# ADVERTENCIA

**IMPORTANTE** – Guarde estas instrucciones para referencia futura. Lea estas instrucciones detenidamente antes del uso. La seguridad de su niño podría verse afectada si no cumple estas instrucciones.

## COCHECITO SIMPLE

• Este cochecito es para un pasajero.

- ⚠ **ADVERTENCIA** Esta unidad del asiento no es apto para niños menores de 6 meses. Peso máximo es 45 libras (20 kg); altura máxima es 40 pulgadas (101.6 cm).
- Peso total de carga recomendado para este cochecito es 57 libras (26 kg): 45 libras (20 kg) en el asiento, 2.2 libras (1 kg) en el bolsillo del respaldo del asiento y 15 libras (7 kg) en la canasta.
- ⚠ **ADVERTENCIA:** El exceso de peso puede desestabilizar el cochecito y poner en peligro la seguridad del niño.
- ⚠ **ADVERTENCIA:** Este cochecito no es apto para correr, trotar, patinar sobre hielo o sobre ruedas.
- ⚠ **ADVERTENCIA:** Nunca deje a un niño sin atender.
- ⚠ **ADVERTENCIA:** Use siempre el sistema de seguridad.
- ⚠ **ADVERTENCIA:** Verifique que los dispositivos de sujeción del cuerpo del cochecito o de la unidad del asiento o del asiento de automóvil estén correctamente instalados antes de usarlos.
- ⚠ **ADVERTENCIA:** Para evitar lesiones, asegúrese de que su niño esté lejos cuando pliega y despliega este producto.

- ⚠ **ADVERTENCIA:** No deje que su niño juegue con este producto.
- ⚠ **ADVERTENCIA:** Paquetes o accesorios, o ambos, colocados sobre la unidad pueden hacer que la unidad sea inestable.
- ⚠ **ADVERTENCIA:** Cualquier carga sujeta a la manija afecta la estabilidad del cochecito.
- Este asiento debe usarse en la posición más reclinada hasta que el niño se pueda sentar sin ayuda, rodar o pararse sobre las manos y las rodillas.
- El cochecito no debe usarse para transportar niños hacia arriba o abajo en escaleras o escaleras mecánicas. Daños resultantes al cochecito no estarán cubiertos bajo la garantía.
- Este cochecito no reemplaza una cama o cuna. En caso de que su niño necesite dormir, debe ponerlo en una cama, cuna o cuerpo del cochecito apto.
- Los accesorios que no están aprobados por Baby Jogger no deben usarse.
- Esté atento a los automóviles; nunca suponga que un conductor puede verla a usted y a su niño.
- El pasajero debe permanecer sentado (no pararse en el cochecito).
- Podría ser peligroso usar piezas de repuesto que no sean las suministradas o aprobadas por Baby Jogger.

## ARMAZÓN

- 1 Desempaque el armazón del cochecito de la caja y deje a un lado las ruedas. Destrabe el cochecito tirando la palanca de traba de almacenamiento.
- 2 Levante el manillar lejos del armazón inferior. El cochecito se trabará en su lugar.
- 3 Ponga el cochecito en la posición vertical.

**⚠️ ADVERTENCIA:** Asegúrese de que todos los dispositivos de bloqueo estén activados antes de usarlo.

## RUEDA DELANTERA

### 4 Instalación

- Ponga el cochecito sobre el respaldo para que el manillar esté en el piso.
- Sujete la rueda delantera deslizándola en el montante de la rueda delantera hasta que se trabe. Tire suavemente de la rueda delantera para asegurarse de que esté correctamente sujeta.

### 5 Extracción

- Mientras oprime el botón de liberación de la rueda delantera, deslice suavemente la rueda delantera fuera del montante de la rueda delantera.

## CARACTERÍSTICA GIRATORIA

- 6 Oprima el botón de la traba giratoria hacia abajo y deslice la traba giratoria hacia la izquierda para trabar el ensamblaje de la rueda delantera en una posición fija para un viaje a larga distancia.
- 7 Oprima el botón de la traba giratoria hacia abajo y deslice la traba giratoria hacia la derecha para permitir que gire el ensamblaje de la rueda delantera.

**⚠️ ADVERTENCIA:** Al cargar y descargar a un niño, trabe la rueda delantera en una posición fija. A pesar de que la rueda delantera de su cochecito se traba, no debe usarse para trotar o hacer ejercicios.

## RUEDAS TRASERAS

### 8 Instalación

- Alinee el eje de la rueda trasera con el montante de la rueda en el armazón del cochecito e insértelo en el montante de la rueda hasta que se trabe en su lugar.

- Tire suavemente de la rueda trasera para asegurarse de que esté correctamente sujeta.

### 9 Extracción

- Mientras oprime el botón de liberación de la rueda, deslice suavemente la rueda trasera fuera del montante de la rueda.

## FRENO

- 10 Para activar el freno rápido, presione la palanca del freno.
- 11 Para trabar los frenos: Empuje suavemente la palanca del freno hacia adelante hasta que se trabe en su lugar.
- 12 Para liberar los frenos: Tire la traba del freno de mano hacia usted.

**⚠️ ADVERTENCIA:** Trabe los frenos antes de cargar y descargar a su niño y cuando quiera el cochecito no esté en movimiento.

## ASIENTO - DESPLEGAR EL ASIENTO

- 13 Agarrando el hueco del pie y la parte superior del asiento, abra el asiento.
- 14 El asiento se trabará en la posición abierta.

## CAPOTA

- 15 Sujete la capota al armazón: Sujete los soportes de la capota a los costados del armazón del asiento.
- 16 Sujete las 2 tiras de sujeción de la capota a la parte superior del asiento.

## AJUSTAR EL ARNÉS DE SEGURIDAD

- 17 Desde atrás del asiento, destrabe la tira de sujeción y abra el bolsillo para ubicar el tope cuadrado de plástico. Gire el tope y páselo por las aberturas en la tabla de polietileno y tela del asiento.
- 18 Vuelva a colocar el tope en la abertura del asiento más cercana a los hombros del niño. Páselo por la tela del asiento y la tabla de polietileno. Tire de la correa para asegurarse de que el tope esté trabado. Repita el procedimiento en ambos costados.

**⚠️ ADVERTENCIA:** Evite serias lesiones causadas por caídas o resbalones. Ajuste y sujete siempre correctamente el arnés de seguridad.



**⚠ ADVERTENCIA:** Use siempre la correa de la entropierna en combinación con las correas de los hombros y el cinturón de la cintura.

19 Deslice las almohadillas del arnés hacia arriba para lograr el acceso a la guía de plástico en la correa.

20 Agarre la guía de plástico y tire la correa para tensionarla o aflojarla.

#### USAR EL ARNÉS DE SEGURIDAD

21 Inserte la hebilla de la correa lateral en la hebilla del arnés en ambos costados.

22 Inserte el arnés conectado y las hebillas de las correas laterales en los costados de la hebilla de la entropierna.

23 Oprima el botón en la hebilla de la entropierna para liberarlo.

#### PONGA EL ASIENTO EN EL ARMAZÓN

24 Alinee los soportes de montaje de accesorios con los soportes de montaje en el armazón del cochecito.

25 Deslice el asiento en los soportes hasta que se trabe en su lugar. Asegúrese de que ambos costados del asiento estén debidamente sujetos al armazón antes del uso.

NOTA: El asiento se puede instalar orientado hacia adelante u orientado hacia atrás.

#### SACAR EL ASIENTO

26 Oprima las lengüetas grises en los soportes de montaje y tire hacia arriba.

**⚠ ADVERTENCIA:** Saque siempre a su niño del asiento antes de sacar el asiento del armazón.

#### RECLINAR EL ASIENTO

27 Levante la palanca de reclinación del asiento que se encuentra en la parte superior del asiento, detrás de la capota.

28 Tire hacia abajo para bajar el asiento y hacia arriba para levantar el asiento hasta que se trabe en la posición deseada.

#### AJUSTE DE LA ALTURA DE LA MANIJA

29 Presione el botón de ajuste de la manija y deslice la manija hacia arriba o abajo hasta alcanzar la longitud deseada.

#### HUECO AJUSTABLE DEL PIE

30 Ajuste el ángulo: Oprima los botones de ajuste en el hueco del pie y muévelo hacia arriba o abajo hasta que se trabe en la posición deseada.

#### EXTRACCIÓN DE LA CANASTA

31 Desabroche los broches superiores de la canasta alrededor de la barra de soporte del medio del armazón. Luego, desabroche los broches inferiores alrededor de las barras de soporte laterales del armazón.

32 Desenganche el nudo de plástico superior del frente de la perilla de metal del frente del armazón. Repita el procedimiento en el costado opuesto.

#### PLIEGUE

- Saque al niño del asiento.
- El cochecito se puede plegar con o sin el asiento instalado y orientado hacia adelante u orientado hacia atrás.
- Cuando se lo pliega orientado hacia atrás, se recomienda que el asiento esté totalmente reclinado antes de plegarlo.
- Siempre recline el asiento hacia la posición más vertical y posiciónelo orientado hacia adelante para lograr el pliegue más compacto.

33 Tire del hueco del pie del asiento y pliegue el asiento hacia arriba.

34 Tire hacia arriba las manijas de pliegue rápido y deje que el armazón colapse. Asegúrese de que la palanca de la traba para el almacenamiento se trabe en su lugar.

#### SACAR LA TELA DEL ASIENTO

35 Desabroche la tela del asiento del armazón del asiento.

36 Desde atrás del asiento, desabroche el nudo y gancho y deslice la correa por el anillo D.

37 Oprima los botones de ajuste del hueco del pie y tire hacia afuera el hueco del pie para sacar la barra del hueco del pie del armazón del asiento. Saque la tela del asiento del canal en la barra del hueco del pie.

# CUIDADO Y MANTENIMIENTO

Para preservar la longevidad de su cochecito, es importante realizar tareas periódicas simples de mantenimiento. De vez en cuando, asegúrese de que las uniones y lugares con pliegues todavía estén en buenas condiciones. Si escucha algún ruido o siente algo de tensión, puede llevar el cochecito a un taller de bicicletas local para que le agreguen lubricación. Todas las reparaciones solamente deben ser completadas por un concesionario autorizado.

## LAVADO

### Tela del asiento

- Usted puede lavar a máquina el asiento del cochecito con agua fría y un detergente suave.
- Asegúrese de sacar el armazón de metal y las tablas de polietileno del asiento antes de lavarlo.
- No use solventes, productos cáusticos o materiales abrasivos para la limpieza.
- Para reducir el encogimiento, simplemente vuelva a sujetar el asiento al armazón para que se seque.
- No priense, planche, limpie en seco, seque a máquina ni estruje la tela.
- Si las fundas del asiento deben reemplazarse, use solamente piezas de un concesionario autorizado de Baby Jogger. Ellas son las únicas que pueden garantizar que han sido probadas para seguridad y diseñadas para que caben este asiento.

### Piezas de plástico/metal

- Limpie usando un jabón suave y agua tibia.
- No debe sacar, desarmar ni alterar ninguna parte del mecanismo de pliegue del asiento o los frenos.

## Cuidado de las ruedas

- Se pueden limpiar las ruedas usando un trapo húmedo. Se deberá secarlas completamente con una toalla o trapo suave.

## ALMACENAMIENTO

- Los rayos del sol pueden desteñir la tela del asiento y resecar los neumáticos, por lo tanto, guardar el cochecito adentro prolongará su buen aspecto.
- NO lo guarde al aire libre.
- Asegúrese de que el cochecito esté seco antes de guardarlo por períodos prolongados.
- Guarde siempre el cochecito en un ambiente seco.
- Guarde el cochecito en un lugar seguro cuando no lo usa (por ej., donde los niños no pueden jugar con él).
- NO ponga objetos pesados encima del cochecito.
- NO guarde el cochecito cerca de fuentes de calor directas como un radiador o fuego.

# REGISTRE SU COCHECITO EN LÍNEA EN [www.babyjogger.com/register](http://www.babyjogger.com/register)

## Garantía limitada de por vida de Baby Jogger:

Baby Jogger garantiza que el armazón no tiene defectos de fabricación durante toda la vida del producto. Los defectos de fabricación incluyen pero no se limitan a la rotura de soldaduras y daños a los tubos del armazón. Los materiales textiles o blandos del costado y todos los otros componentes están garantizados por un año desde la fecha de compra (excepto los tubos y los neumáticos). Se requiere prueba de la compra para presentar una reclamación bajo la garantía y la garantía solamente se extiende al comprador original.

### ESTA GARANTÍA NO CUBRE:

- Desgaste normal
- Corrosión o herrumbre
- Ensamblaje incorrecto o la instalación de piezas o accesorios de terceros que no sean compatibles con el diseño original
- Daño accidental o intencional, abuso o negligencia o uso en escaleras o escaleras mecánicas.
- Uso comercial
- Almacenamiento/cuidado inadecuado de la unidad

Esta garantía excluye específicamente reclamaciones por daños indirectos, incidentales o consecuentes. Las garantías implícitas de comerciabilidad y aptitud para un propósito particular se incluyen según el período de garantía específica de este modelo en el momento de la compra. Algunos estados no permiten la exclusión o limitación de daños incidentales o consecuentes, de manera que las limitaciones o exclusiones anteriores podrían no aplicarse a su caso. Esta garantía le brinda derechos legales específicos y podría tener otros derechos que varían de un estado a otro. Para conocer cuáles son sus derechos legales en su estado, consulte a la oficina local o del estado de asuntos al consumidor o al Fiscal General de su estado.

Si su cochecito fue comprado fuera de los Estados Unidos, por favor comuníquese con el distribuidor en el país más cercano. Se puede encontrar la información de contacto en nuestro sitio web en <http://www.babyjogger.com>. Las reclamaciones por garantía fuera del país en el que se compró el producto podrían incurrir cargos por envío.



NOTA: Cuando se comunica con el distribuidor de Baby Jogger sobre su cochecito, por favor tenga a mano el número de serie de su cochecito y la fecha de fabricación. Dicha información se puede encontrar en el mecanismo derecho de pliegue.

### Información de contacto de atención al cliente:

Correo electrónico: [Customerservice@babyjogger.com](mailto:Customerservice@babyjogger.com)

Llame al: 1-800-241-1848

8:30am - 5:30pm EST, Mon - Fri.

Fax: 1-804-262-6277

Correo : Baby Jogger, LLC  
4110 Premier Drive  
High Point, NC 27265

[www.babyjogger.com](http://www.babyjogger.com)



Baby Jogger, LLC

6655 Peachtree-Dunwoody Rd. NE • Atlanta, GA 30328

[www.babyjogger.com](http://www.babyjogger.com)